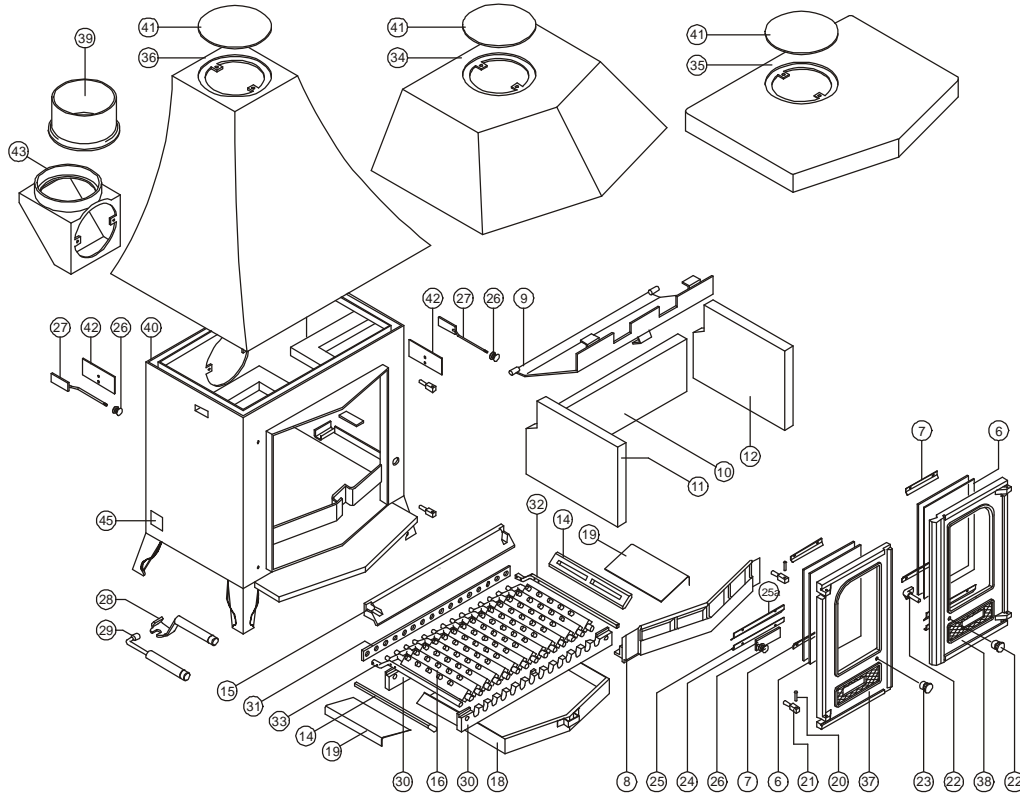


Parts List



Item	Part No.	Description	Item	Part No.	Description
1*	008/TW35L	Left Hand Door Seal	35	010/BV05	Flat Top
2*	008/TW35R	Right Hand Door Seal	36	010/BV04	High Canopy
3*	008/BV32	Canopy / Top Seal	37	002/TW01	Left Hand Door
4*	008/FW29	Door Seal Adhesive	38	002/BV02	Right Hand Door
5*	008/TW44S	Glass Channel (set of 8)	39	002/CH12A	Flue collar
6	006/LW30	Glass (Inc Channel)	40	001/BV10	Firebox (Country 12 M/F)
7	004/EW23	Glazing Bar	41	012/TW09	Blanking Plate
8	002/BV07	Front Fire Bars	42	012/BV10/12	Air Wash Slide Cover Plate
9	010/BV31	Throat Plate	43	010/TW33	Vert. Rear Flue Connector (Opt'l Extra)
10	011/BV29	Back Fire Brick	44*	010/EW51	Ash Carrier (Optional Extra)
11	011/BV28L	Left Hand Fire Brick	45	012/BV11	Serial No. Label
12	011/BV28R	Right Hand Fire Brick			
13	011/BV28S	Set of Fire Bricks (3)			
14	002/EW15	Side Fire Plate			
15	002/BV16	Back Fire Plate			
16	002/CG01	Bottom Grate Bar			
17	002/CG01S14	Set of Grate Bars (14 per set)			
18	004/BV17	Ashpan			
19	004/BV19	Ash Shedding Plates			
20	008/BW39/S	Hinge Pin Set (4 per set)			
21	008/FW27	Hinge Post			
22	008/BV03/A	Door Catch Assembly			
23	002/BV12	Left Hand Door Knob			
24	012/TW14	Primary Air Slide			
25	004/TW18	Primary Air Slide Guide (Lower)			
25a	004/BV18	Primary Air Slide Guide (Upper)			
26	002/TW13	Air Control Knob			
27	004/BV15	Airwash Slide			
28	012/BV20/A	Ashpan / Door Opening Tool			
29	010/TW22/A	Riddling Tool			
30	002/BV30	Carrier Bar			
31	012/BV33	Mover Bar			
32	012/BV23	Riddler Rod			
33	012/CG05	Idler Rod			
34	010/BV06	Low Canopy			

* These items are not shown on the drawing.



To obtain spare parts please contact your local stockist giving Model, Part No. and Description. In case of difficulty contact the manufacturer at the address shown. This drawing is for identification purposes only.

CHARNWOOD Bishops Way, Newport, Isle of Wight PO30 5WS, United Kingdom

T: +44 (0)1983 537777 F: +44 (0)1983 537788 charnwood@ajwells.co.uk www.charnwood.com